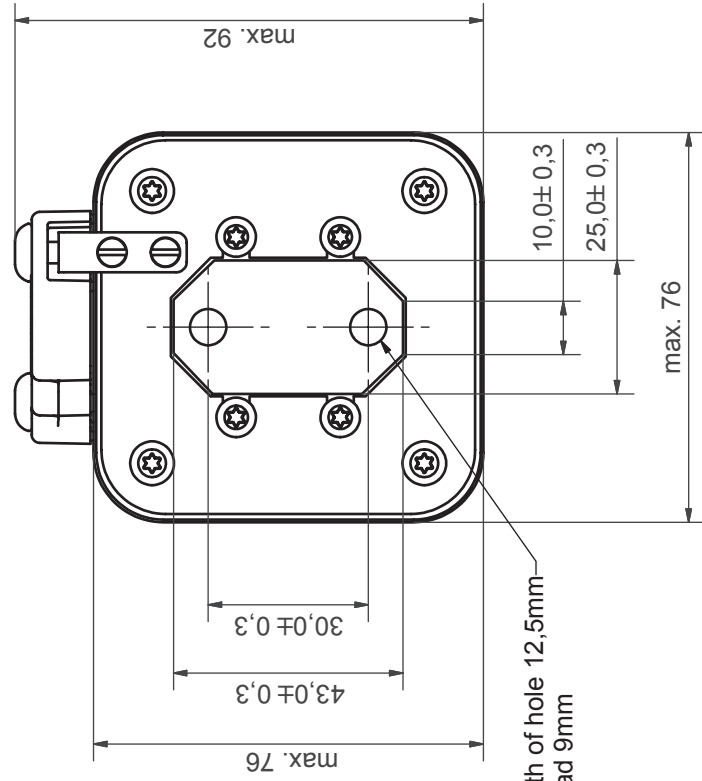
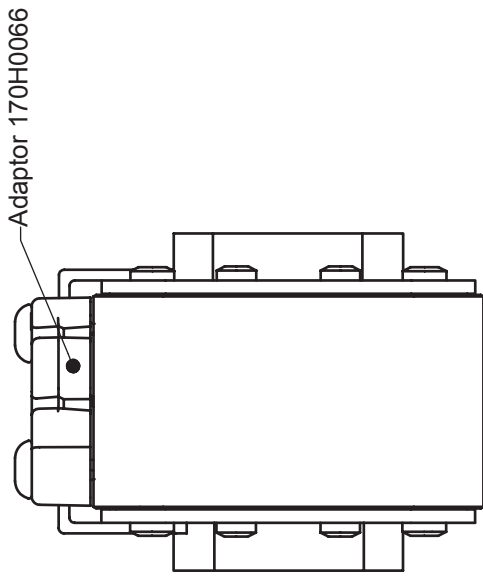


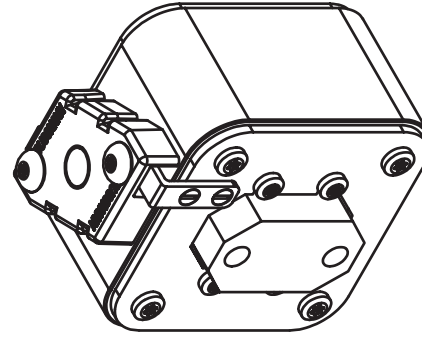
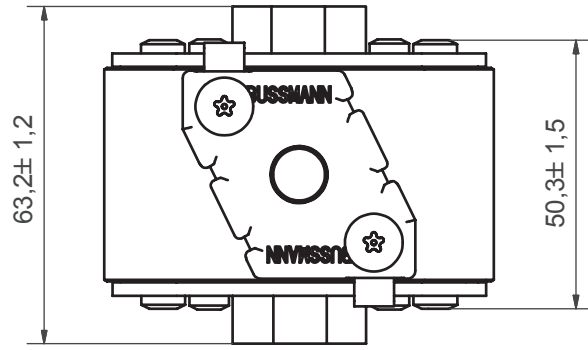


D	r	n	m	k	i	C			h	g	f	e	d	B			c	b	a	0508	
																			Date :	Dwg. by :	Control by :
																			AG	JM	

Corrector:	0508
Date :	0508
Dwg. by :	AG
Control by :	JM



2 pcs M8 max. depth of hole 12,5mm  
max. length of thread 9mm



European projection

**Cooper Bussmann**  
Litterbuen 5, DK-2740 Skovlunde  
Phone: +45 4485 0919 Fax: +45 4485 0906

This is the property of  
Cooper Industries Inc.

Scale 1 : 1

**170X0473-01N**

High Speed Fuse  
Type 3DKN/65  
Dimension Sketch