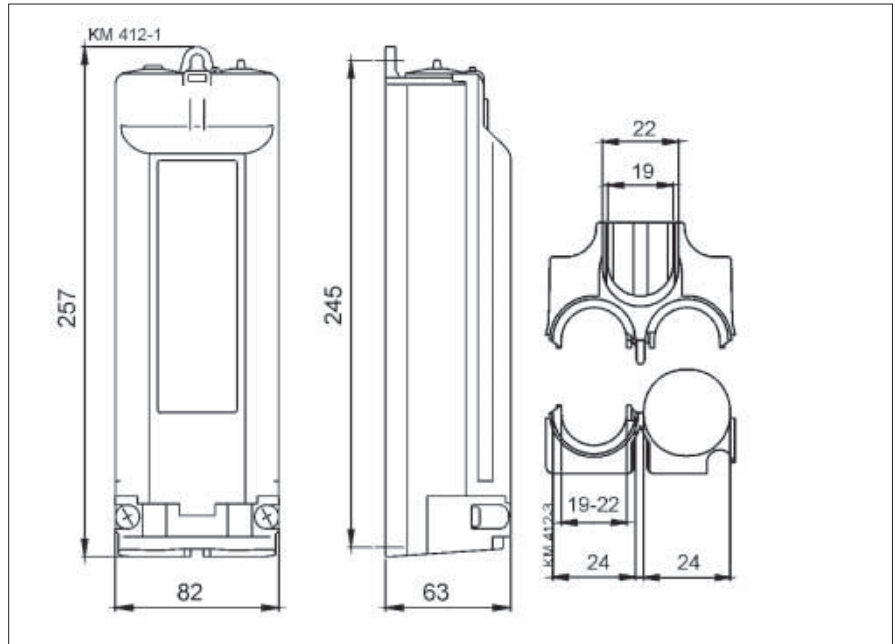


# EKM 2050 – Connection Box for Lighting Application

Pole Diameter  $\geq 90$  mm and for Outdoor Application, Fuses: D01 (E14), Earth Cables  $\leq 25$  mm<sup>2</sup>



## Application

This connection box is intended to be installed inside of lighting columns (SK type) and for outdoor applications (SKFH type) at the connection between looped-through earth cables and the luminaire components protected by fuses.

Additional connection boxes for other cable dimensions, fuses or accessories are available on request.

## Selection Criteria

- SK for application inside of lighting columns  
Pole diameter:  $\geq 90$  mm  
Door size:  $\geq 85 \times 270$  mm
- SKF and SKFH for outdoor application and inside of lighting columns
- 5 sliding terminals for  
2 cables 2,5–25 mm<sup>2</sup> or  
3 cables 2,5–16 mm<sup>2</sup>
- Type SK, SKF, SKFH:  
Fuses D01 (E14) up to 16 A  
or 1 DIN-rail
- Types with DIN-rail: For standard installation devices attachable up to 3 TE width (3 x 18 mm), max. height of devices 64 mm. Height of connection box 82 mm.

## Technical Data

- Acc. IEC 60439-1  
DIN VDE 0660-505 and  
DIN 43628
- Impact resistant thermoplastic
- All metal parts corrosion protected
- Transparent (SK) or grey (SKF, SKFH) cover
- Fuse sockets with fuse caps
- Prewired with bars (N, L1, L3, L2, PE(N))
- Ingress Protection: IP 54
- Class of Protection II
- Range taking cable sealings for earth cables  
 $\varnothing 19$ –24 mm (2x),  
 $\varnothing 19$ –22 mm (cable 3)
- SK, SKF type with range taking sealing grommets for luminaire cables:  
 $\varnothing 8$ –14 mm luminaire cable  
(2 sealings for 2 luminaire cables  
3 x 1,5 mm<sup>2</sup>–5 x 2,5 mm<sup>2</sup>)
- SKFH type with compression sealing glands for luminaire cables:  
 $\varnothing 8$ –14 mm luminaire cable  
(2 sealings for 2 luminaire cables  
3 x 1,5 mm<sup>2</sup>–5 x 2,5 mm<sup>2</sup>)
- Luminaire cables alternatively installable downward in parallel to earth cables  
max.  $\varnothing 11,5$  mm (2x)

Fuse sockets	Cross section (mm <sup>2</sup> )		Ordering description
	for 1 and 2 cables	for 3 cables	
<b>SK for application in columns</b>			
2 x D01 (E 14)	5 x 2,5–25	5 x 2,5–16	EKM 2050SK-2D1U
3 x D01 (E 14)	5 x 2,5–25	5 x 2,5–16	EKM 2050SK-3D1U
<b>SKF for outdoor application and in columns</b>			
none, DIN-rail *	5 x 2,5–25	5 x 2,5–16	EKM 2050SKF-0D0-1R
<b>SKFH for outdoor application and in columns</b>			
2 x D01 (E 14)	5 x 2,5–25	5 x 2,5–16	EKM 2050SKFH-2D1U
3 x D01 (E 14)	5 x 2,5–25	5 x 2,5–16	EKM 2050SKFH-3D1U
none, DIN-rail*	5 x 2,5–25	5 x 2,5–16	EKM 2050SKFH-0D0-1R

**Note:** Fuses not included. Accessories and spare parts see page 121 and 122

\* Connector block only and 1 DIN-rail